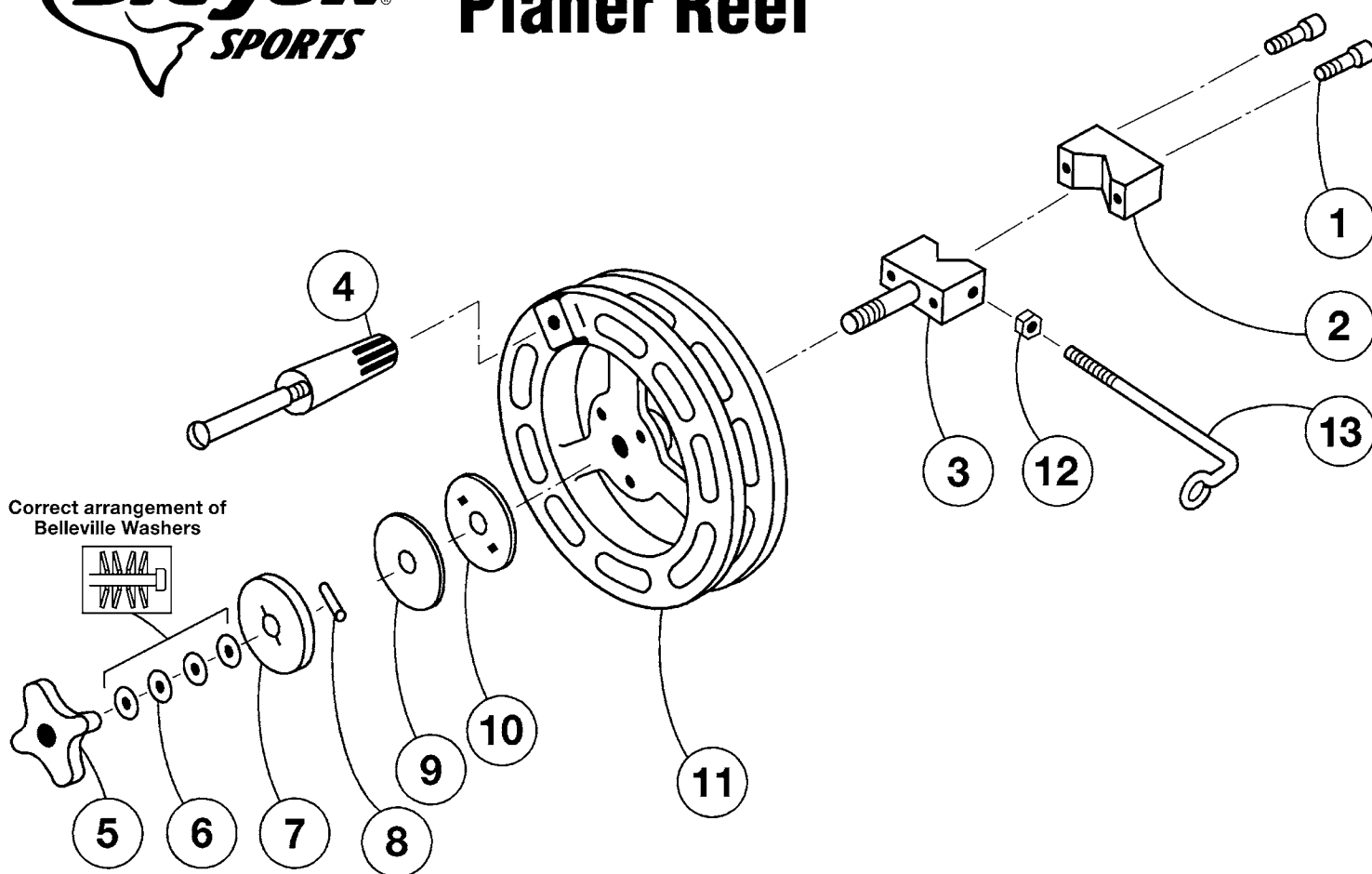




Manual Planer Reel



Parts List PM00372

Detail No.	Description	Qty.	Order By Part No.
1	5/16-18 x 2 in. SHC Screws	2	2141
2	Clasp A (No Shaft)	1	51272
3	Clasp B (w/ Shaft Assembly)	1	51273ASM
4	Handle Assembly	1	HA101
5	Regular Clutch Knob	1	51152
6	Belleville Washers	4	2231
7	Outer Clutch Disk	1	51093
8	Shaft Dowel Pin	1	2165
9	Graphite Pad	1	2307
10	Inner Clutch Disk	1	51098
11	8 in. Reel	1	51164
12	1/4-20 Hex Nut	1	2133
13	Guide / Eye	1	2500

Rev. No. 4 Revised: 1/27/16 By: PRL